

### REQUIREMENTS:

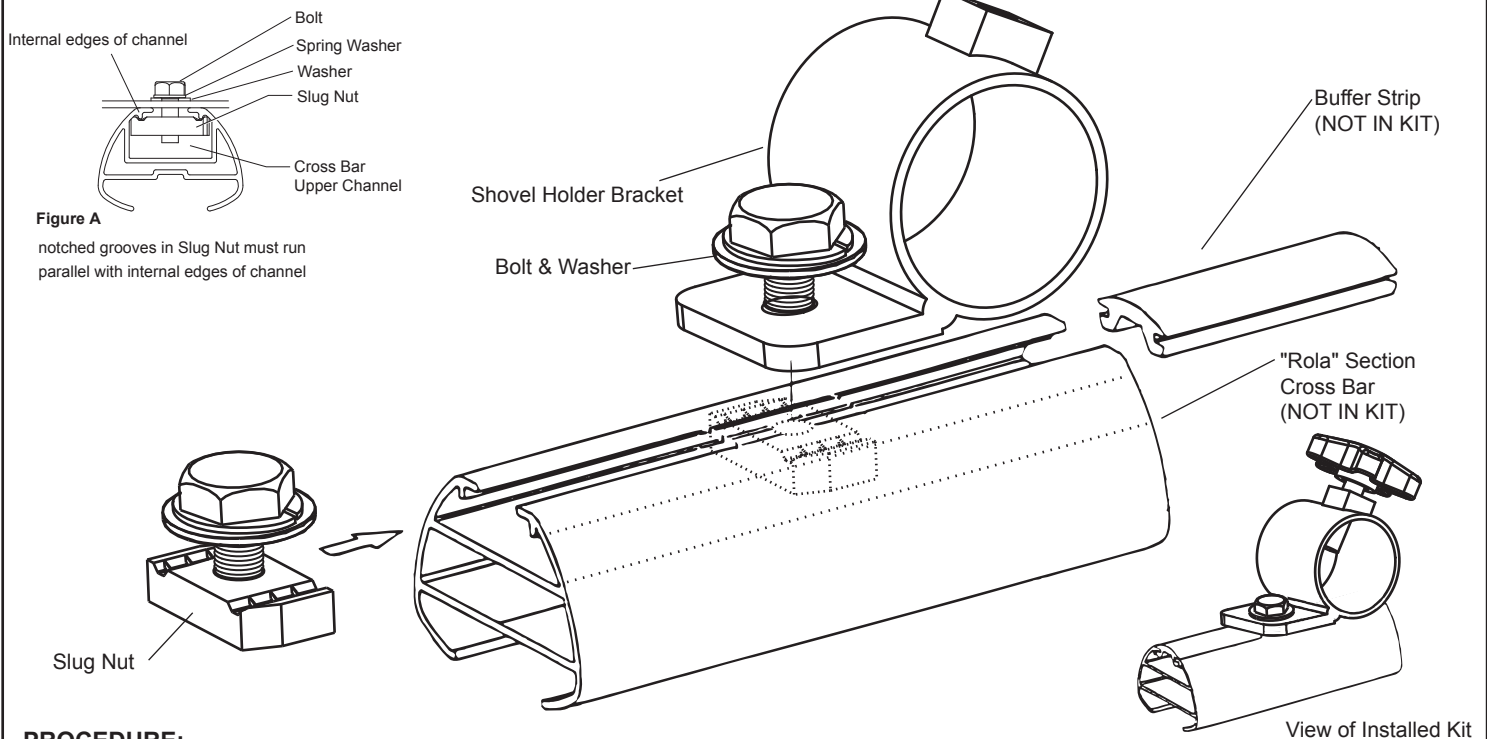
- \* For this installation, you will need a felt-tip pen, a sharp Safety knife, and a 13mm Spanner or similar item to turn and tighten Bolt.

### APPLICATION:

- \* Facility for shovel.

### COMPLEMENTRY KITS:

## STEPS: Assembling Shovel Holder Kit Into Heavy-Duty Bar Upper Channel



### PROCEDURE:

#### Preparation of Cross Bar

- \* Decide upon Shovel Holder position, then remove Cross Bar End Caps per roof rack instructions.
- \* Place the Shovel Holder on top of the Cross Bar Buffer Strip and mark the outside edges with a felt-tip pen on the Buffer Strip and Cross Bar.
- \* Remove Buffer Strip and using a safety knife, cut away a piece at the markings. This short piece shall be discarded. (Do not remove too much material as the strip is compressible and will shrink in cooler weather; and therefore leave a gap).

#### Shovel Holder Pre-Assembly:

- \* Fit Bolt, Spring Washer and Washer ( as pictured above) through hole in Shovel Holder Bracket as shown and screw into Slug Nut - Only thread Bolt a few threads into Slug Nut.
- \* Align Slug Nut correctly with channel and slide the assembly into the Upper Channel of the Cross Bar as shown above. Make sure it retains its cross-ways alignment within the channel - i.e. notched grooves in Slug Nut must run parallel with internal edges of channel (see Fig A above).
- \* Position the assembly between pen markings, as previously done on Cross Bar.
- \* Using a 13mm Spanner (or similar object) tighten the Bolt until firmly tight.
- \* Re-install Buffer Strip to appropriate positions (wet the end of the strip to assist with sliding).
- \* Snap Cross Bar End Caps back into place.
- \* Repeat this process for the second mounting bracket.
- \* Once completed, simply place the shovel handle through the two Shovel Holder Brackets and tighten the Five Star wheels.
- \* Regularly check the tightness of the Bolts and the security of the load.

### GENERAL USAGE INSTRUCTIONS:

- \* Roof load should not exceed maximum load stated in vehicle manufacturers handbook.
- \* Refer to roof rack instruction sheet for maximum permissible load on roof rack
- \* Any weight carried on the roof of the vehicle will adversely affect its handling, particularly in cornering or in a cross wind and therefore the vehicle should be driven with increased discretion.
- \* Regularly check the tightness of the securing clamps and the security of the load.
- \* Loads should be evenly distributed and secured.
- \* Be aware of the statutory requirements regarding maximum permissible projections from vehicles.
- \* Long loads such as ladders should always be additionally secured by tying down to the front and rear bumpers or other suitable anchorage points of the vehicle.
- \* Arrange of accessories for carrying all types of special loads is available, otherwise only use non-stretch tie-down straps. Call or visit our showroom for information.