

Maximum Carrying Capacity: 2-Bars: 60kg; 1-Bar: 30kg

Parts List: (Refer to Fig.1)

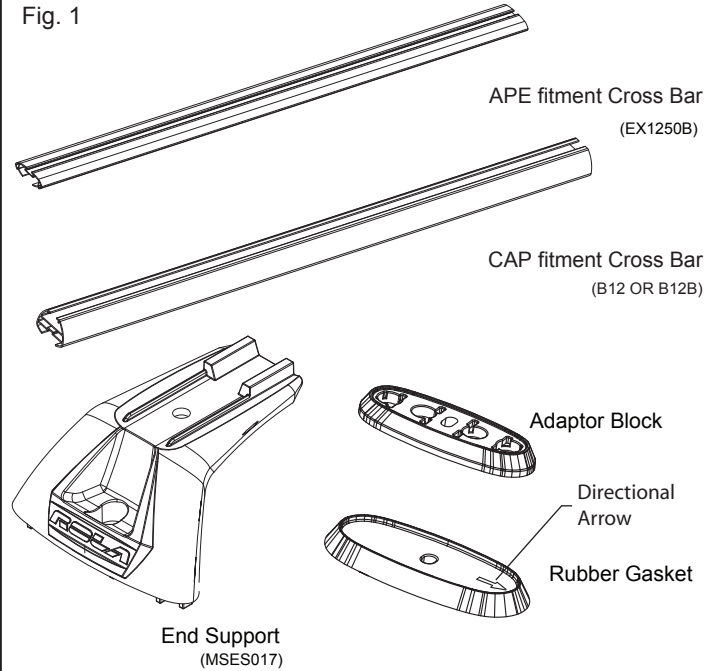
Item	Description	Qty.	Part No.
1a	APE Cross Bar & Buffer Strip	2 (1)	EX1250B (APE fitment)
1b	CAP Cross Bar & Buffer Strip	2 (1)	B12(B) (CAP fitment)
2	End Support	4 (2)	MSES017
3	Adaptor Block	4 (2)	27-0717
4	Rubber Gasket	4 (2)	27-0718
5	Security Key	1	22-0811
6	M6 x 45mm Security Bolts	4 (2)	22-0354
7	M8 Spring Washer	4 (2)	22-0162
8	M8 Nut	4 (2)	22-0139
9	Slug	4 (2)	27-0116
10	M8 Washer	4 (2)	22-0186
11	M8 x 20mm	4 (2)	22-0496
12a	APE End Cap	4 (2)	27-0782 (APE fitment)
12b	CAP End Cap	4 (2)	27-0345 (CAP fitment)
13	Anchor Bolt	4 (2)	22-0938
14	M6 Nylon Nut	4 (2)	22-0460
15	M6 Star Washer	4 (2)	22-0951
16	Fitting Instructions	1	

For the Single-Bar fitments, only the relevant Cross Bar and Bolts are included. The number shown in brackets denotes the quantity included in the Single-Bar fitments.

NOTE: Prior to Assembly

Prior to assembling, check that the kit contains all the parts you will need to fit the Roof Racks. Refer to the Parts List for guidance. Please read these fitting instructions prior to assembly.

Fig. 1



Fit Kit - Hardware

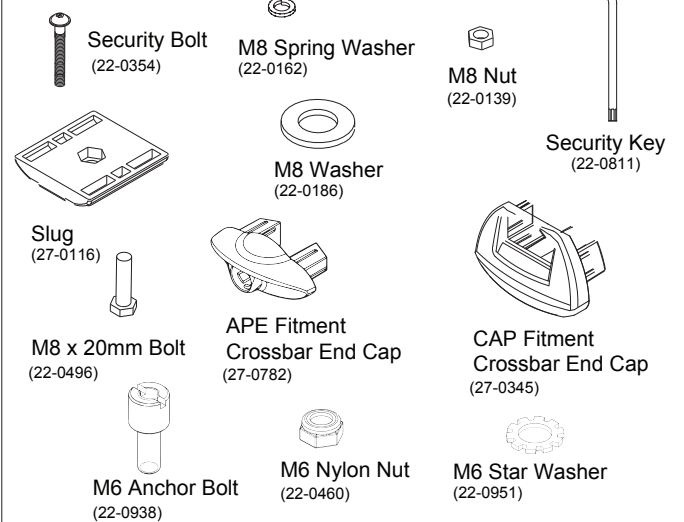
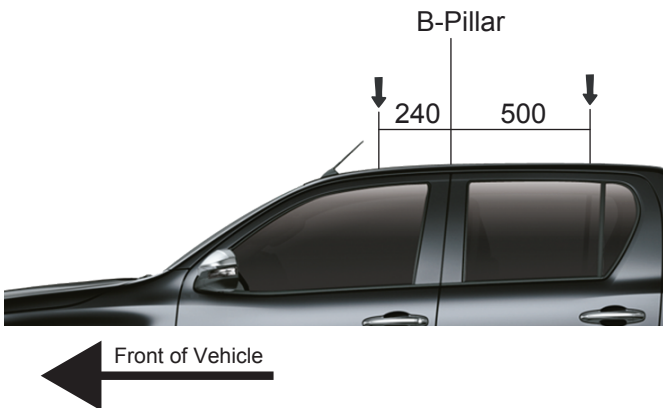


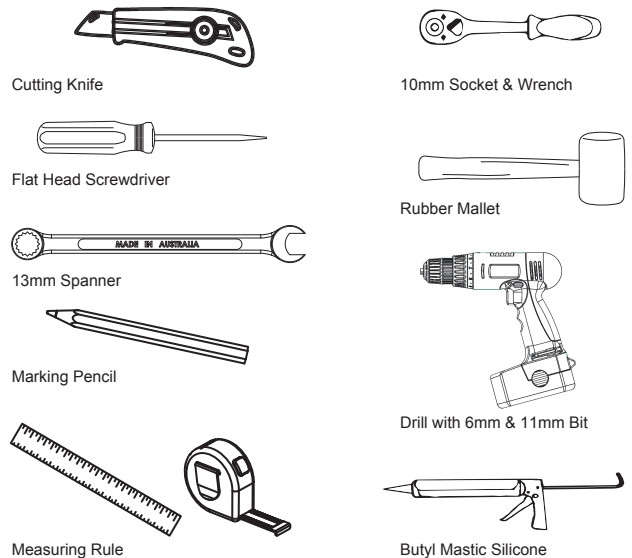
Fig. 2

Location for anchor points on vehicle roof - measured from B-Pillar:



FAILURE TO FOLLOW THESE INSTRUCTIONS WILL VOID WARRANTY

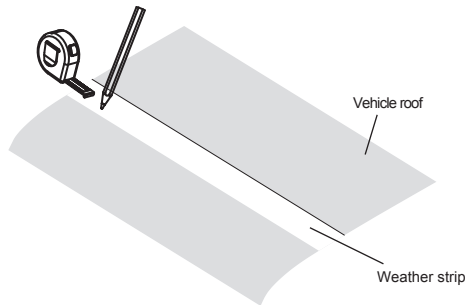
Please Note: The following tools will be required



Anchor Point Installation

Prior to Assembly, check that your kit contains all the parts as listed above. Ensure the vehicle roof is clean and dry. Use Knife to cut through the packaging.

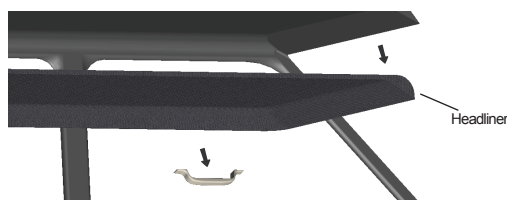
Fig 3



STEP 1

Measure the distances forward and rearward of the B-pillar centre as shown in Figure 2, for both sides of the vehicle. Mark the measured location on the weather strip (Fig 3).

Fig 4

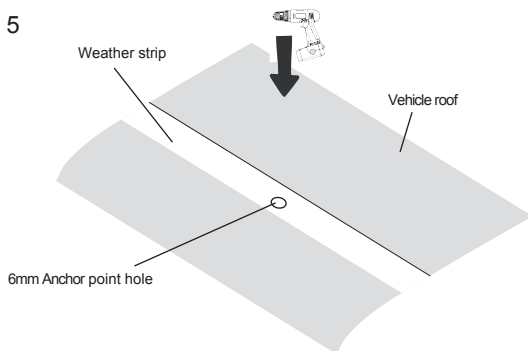


STEP 2

Remove the door seal trim, interior grab handles and pillar trim (if applicable) to lower the headliner to enable access to the base of the anchor bolt with the socket wrench. Exercise care not to damage the headliner.

TIP: Use disposable gloves to ensure hands do not mark interior trim.

Fig 5



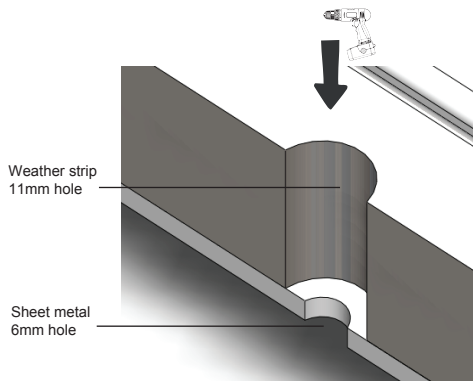
STEP 3

Drill a 6mm diameter hole through the weather strip and roof sheet metal at the anchor point location.

⚠ Be careful to avoid damaging any curtain airbags.

TIPS: Use a roof protector to ensure the roof is not damaged. Use a drill stop to ensure airbags are not damaged.

Fig 6

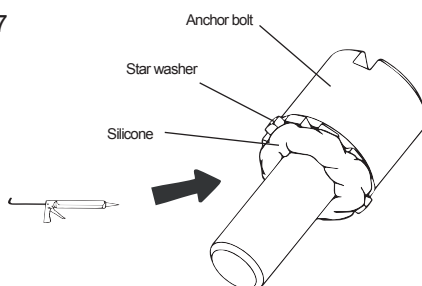


STEP 4

Drill an 11mm diameter hole through the **weather strip only** at the anchor point location. Take care NOT to drill through the sheet metal.

TIP: Use a roof protector and drill stop to ensure the roof is not damaged.

Fig 7



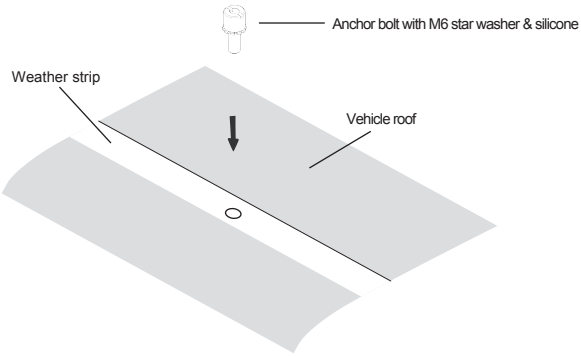
STEP 5

Thread anchor bolt through star washer and apply Butyl Mastic Silicone to the base of the star washer to create a water tight seal.

NOTE: Fully install one anchor bolt at a time to ensure silicone cures properly to create a watertight seal.

FAILURE TO FOLLOW THESE INSTRUCTIONS WILL VOID WARRANTY

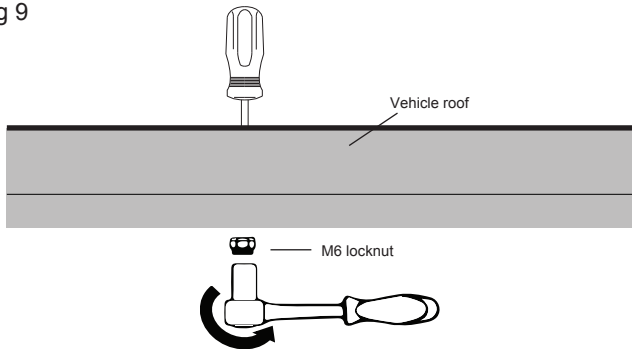
Fig 8



STEP 6

Insert the anchor bolt with M6 star washer and silicone into the anchor point hole.

Fig 9



STEP 7

Hold the anchor bolt in place with a wide flathead screwdriver and secure with nylock nut using a 10mm socket wrench.

STEP 8

Repeat steps 3 to 7 for all anchor points.

Fig 10

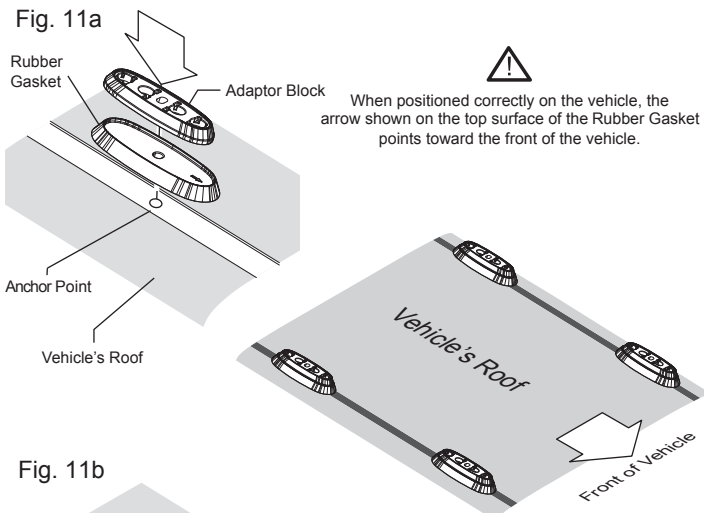


STEP 9

Re-attach the headliner, handles and interior trim.

TIP: Use disposable gloves to ensure hands do not mark interior trim.

Fig. 11a



Installing the Rubber Gaskets and Adaptor Blocks

STEP 10:

A. Locate the Rubber Gasket over the Anchor Point.

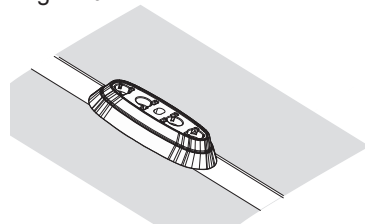
- ⚠ Ensure the Rubber Gasket is oriented correctly (Fig. 11a).
- ⚠ Each Rubber Gasket is marked with a directional arrow (Fig. 11a).
- ⚠ Ensure that the center hole in the gasket lines up with the anchor point thread in the roof.

B. Locate the Adaptor Block onto the Rubber Gasket

- ⚠ Ensure the Adaptor Block is oriented correctly (Fig. 11b).
- ⚠ Ensure that the center hole in the Adaptor Block lines up with the anchor point thread in the roof.

C. Repeat STEPS 10A and 10B with the remaining Adaptors.

Fig. 11b



FAILURE TO FOLLOW THESE INSTRUCTIONS WILL VOID WARRANTY

Fig. 12a

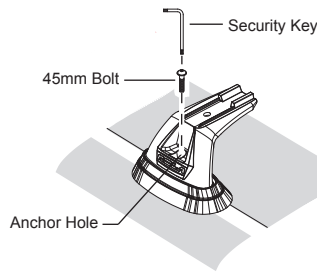


Fig. 12b

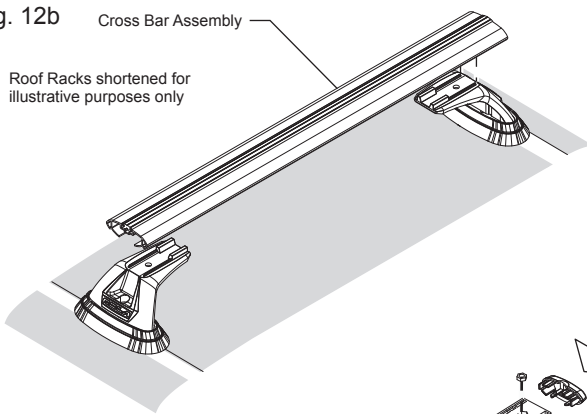
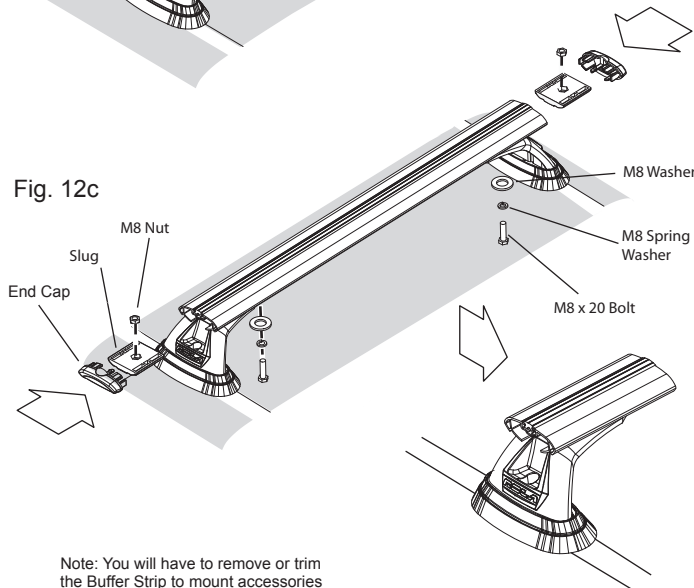


Fig. 12c



Fitting the Cross Bars to the Vehicle

STEP 11:

- A. Place an end support onto the adaptor from STEP 10, and engage the threads of the security bolt by inserting the bolt into the anchor hole, and turning approximately 2-3 turns with the security key (Refer to Fig. 12a). Do not tighten yet. Repeat for the opposite side.
- B. Place the cross bar onto the end supports ensuring that the end supports are located in the cutouts on the underside of the cross bar. (Refer to Fig. 12b)
Check that the cross bar has equally distanced overhang on either side from the end support.
- C. Insert the M8 nut into the cavity on the Slug. (Refer to Fig. 12c).
- D. Insert the Slug into the cross bar, and align it so that the M8 nut in the Slug and the hole at the bottom of the end support line up. (Refer to Fig. 12c).
- E. Secure the cross bar to the end support by tightening the M8x20mm bolt through the hole in the end support and up into the nut that is located in the cavity of the Slug. (Refer to Fig. 12c).
- F. Using a 13mm Spanner, tighten the M8x20mm bolt on the underside of the end support. (Refer to Fig. 12c).
Using the Security Key, tighten the security bolts to approximately 7Nm of torque or a firm hand-tightness. (Refer to Fig. 12c).
- G. Insert end caps into both ends of the cross bar (Refer to Fig. 12c).

Using the Roof Racks

STEP 12:

- A. Refer to 'Care for your Racks' to maintain your Roof Racks.
- B. To load accessories into the Channel of the Cross bars, remove the end cap from the end of the cross bar.
Once the accessories have been loaded, re-insert the end cap back into the end of the cross tube.

Intermittently check that all Screws and Bolts are sufficiently tightened whilst the Roof Racks are in use.

WARNINGS

It is essential for the proper assembly, operation and use of the anchor point that the instructions and safety precautions supplied are strictly observed. The anchor points are designed for use with roof-racks. After first installation, Stop and check all anchor points after a short distance of travel. Where the roof-rack is to be used in off-road conditions, a safety weight reduction of 1.5 should be observed from the total carrying capacity (eg. 60kg becomes 40kg).

Sequent will not be liable to the purchaser of any other person for any consequential, direct or indirect loss, damage or costs incurred or suffered by the purchaser or any other person including but not limited to damage to persons or property, loss of turnover, loss of profits, loss of business or goodwill arising from or in relation to the assembly and use of the artificial anchor point, or the non-observance of the fitting and care instructions.

FAILURE TO FOLLOW THESE INSTRUCTIONS WILL VOID WARRANTY